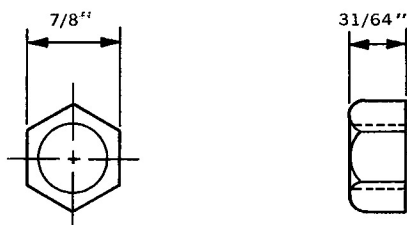
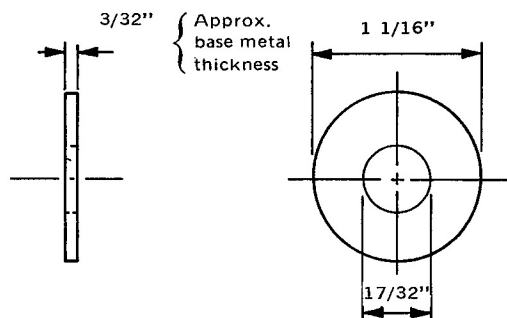
1/2" ϕ HS BOLT1/2" ϕ HS NUT

STEEL WASHER

SPECIFICATIONS

Bolts shall conform to the requirements of A.S.T.M. A325 or A449 and nuts to the requirements of A.S.T.M. A563, Grade C or better, and shall be galvanized in accordance with the requirements of A.S.T.M. A153. Washers shall be made of steel, shall be galvanized in accordance with the requirements of A.S.T.M. A153, and shall meet the dimensional requirements of A.N.S.I. B27.2, Type A Plain Washers.

No punching, drilling, or cutting will be permitted after galvanizing.

INTENDED USE

This bolt is used for fastening splice extrusions and pipe sleeve spreaders to rail elements in the standard Box Beam Median Barrier (Aluminum) designs MB7 and MB7B.

1/2" HIGH STRENGTH HEX BOLT
AND NUT AND WASHER

HM-TF-13

STANDARD

F-7-73